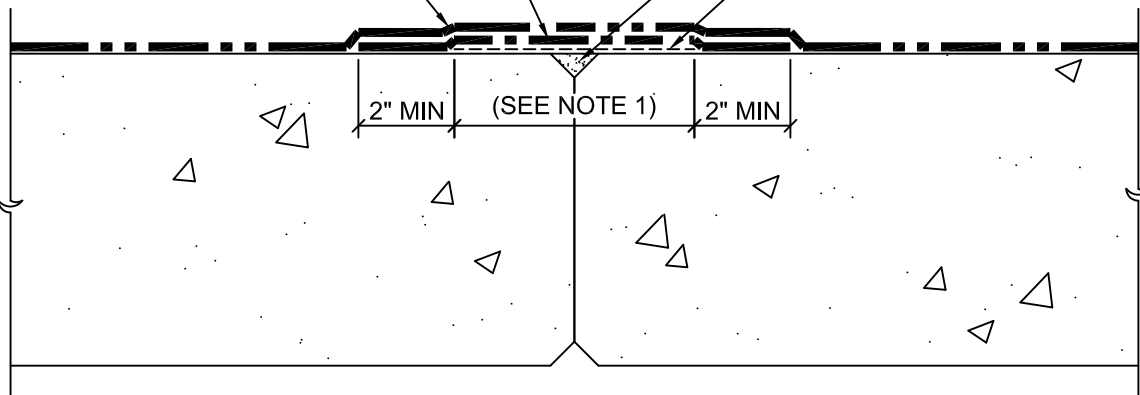


HYDROSEAL FLASHING MEMBRANE W/HYDROSEAL FLEECE

HYDROSEAL DECK MEMBRANE W/HYDROSEAL FLEECE

HYDROSEAL PASTE

DE-BONDING TAPE

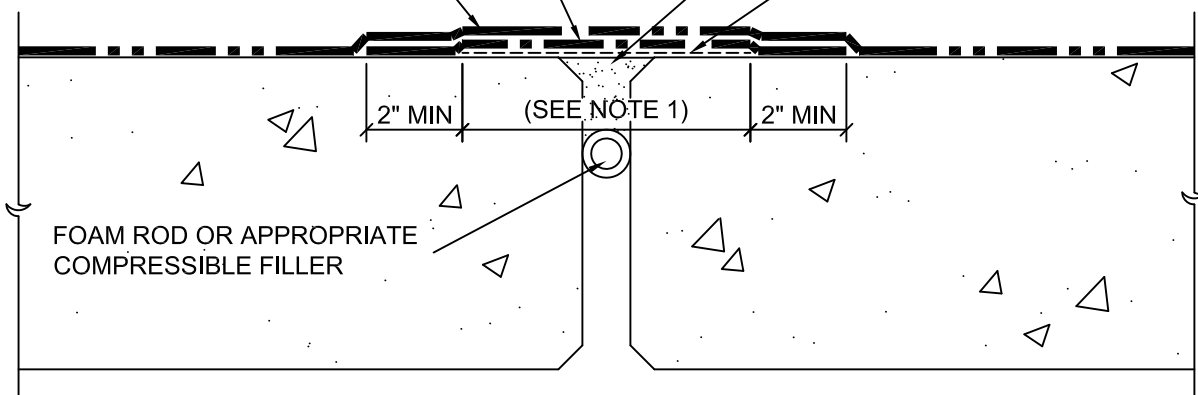


HYDROSEAL FLASHING MEMBRANE W/HYDROSEAL FLEECE

HYDROSEAL DECK MEMBRANE W/HYDROSEAL FLEECE

HYDROSEAL PASTE AS NEEDED

DE-BONDING TAPE



NOTES:

1. SIZE WIDTH OF DE-BONDING TAPE TO PROVIDE UN-BONDED AREA MINIMUM 5X LARGER THAN MAXIMUM ANTICIPATED MOVEMENT. FOR STATIC JOINTS, TAPE SHOULD EXTEND 2" PAST EDGES OF THE PLANKS.
2. ANY MOVEMENT MAY CAUSE MINOR COSMETIC CRACKING/CRAZING IN ANY FINISH TOPCOAT AND/OR SURFACING APPLIED.
3. APPLICATION OF APPROPRIATE HYDROSEAL PRIMER MUST PRECEDE APPLICATION OF HYDROSEAL FLASHING AND DECK MEMBRANES.
4. ALL HYDROSEAL FLEECE, INCLUDING OVERLAPS, MUST BE SET IN AND COVERED OVER WITH HYDROSEAL RESIN.



HydroSeal
Deck Membrane

AMERICAN HYDROTECH, INC.

**PRECAST CONCRETE DECK OR WALL
JOINT TREATMENT**

SCALE: NONE
DATE: 07/19

HS-5A