

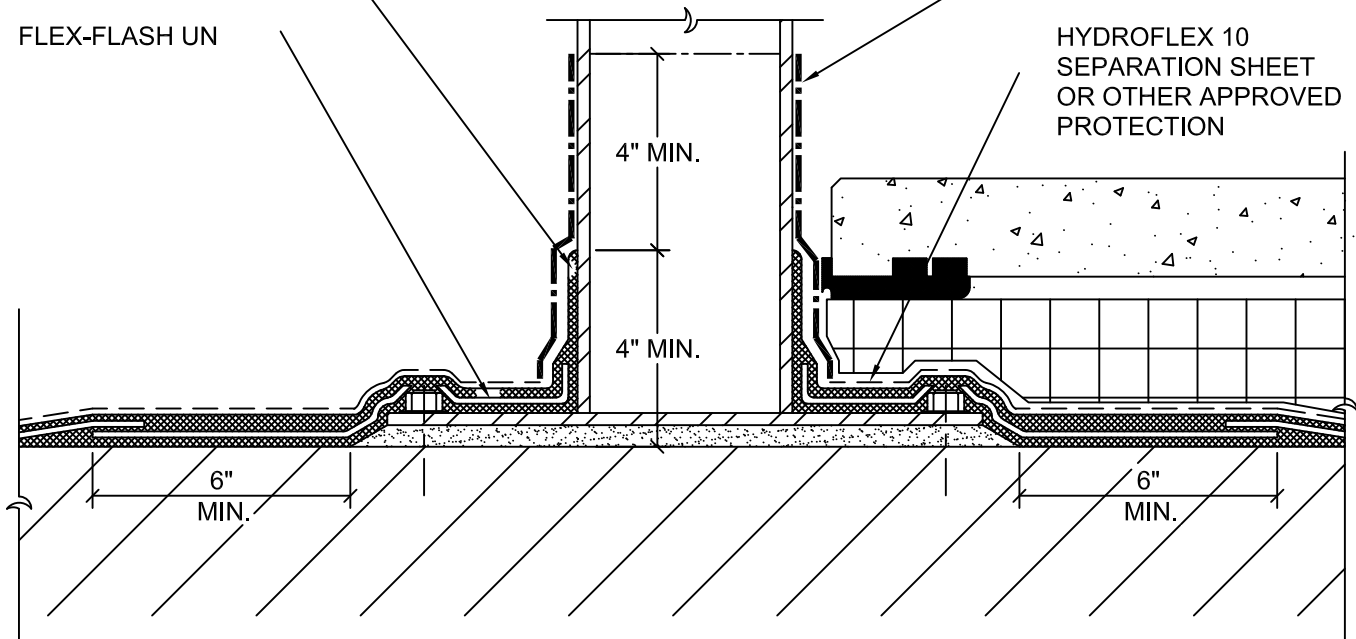
IRREGULAR SHAPED PENETRATIONS REQUIRING THE USE OF HYDROSEAL RESIN FLASHING CAN INCLUDE COLUMNS, ANGLES, DAVITS, SQUARE TUBE STEEL, ETC. LIGHTER GAUGE DUCT/PIPING SUPPORTS ARE NOT APPROPRIATE AND SHOULD BE PLACED ON BALLAST BLOCKS.

MONOLITHIC MEMBRANE 6125

FLEX-FLASH UN

HYDROSEAL RESIN LIQUID FLASHING W/ HYDROSEAL FLEECE

HYDROFLEX 10 SEPARATION SHEET OR OTHER APPROVED PROTECTION



NOTES:

1. WHEN POSSIBLE, MM6125 SHOULD BE APPLIED UNDER PENETRATION BASE PLATE.
2. PENETRATION SURFACE MUST BE CLEAN AND FREE OF ALL RUST AND OTHER CONTAMINANTS, IN ADDITION TO WIPING W/SURFACE CONDITIONER FOR PROPER ADHESION OF MM6125.
3. IN COVERED/BURIED CONDITIONS, THE FLASHING DETAIL SHOULD EXTENDED AS HIGH AS POSSIBLE. FLASHING MUST BE TERMINATED AT OR ABOVE OVERBURDEN LEVEL AND NO LESS THAN 8" ABOVE SUBSTRATE.
4. USE LARGEST SHEETS OF UNCURED NEOPRENE POSSIBLE. WHEN POSSIBLE, HOLES/SLITS SMALLER THAN THE PENETRATION SHOULD BE CUT IN THE CENTER OF THE SHEET OF NEOPRENE AND THE SHEET PULLED DOWN OVER THE PENETRATION.
5. CUT A SLIT OR "X" INTO THE NEOPRENE SHEET DIRECTLY OVER THE BOLT HEADS TO ALLOW EMBEDDING/FORMING TIGHTLY AROUND BOLT HEAD.
6. HYDROSEAL RESIN SHOULD BE APPLIED DIRECTLY OVER PRIMED MM6125



Monolithic Membrane
6125-FR
ROOFING SYSTEMS

AMERICAN HYDROTECH, INC.

IRREGULAR SHAPE PENETRATION WITH BASE PLATE

SCALE: NONE
DATE: 11/16/22

R-10B