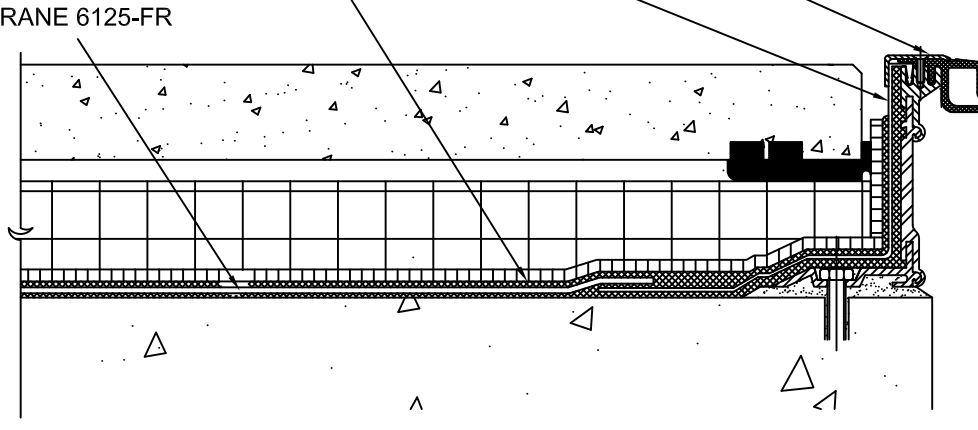


PREFABRICATED EXPANSION JOINT

FLASHING SHEET

HYDROFLEX 30 OR OTHER APPROVED PROTECTION

MONOLITHIC MEMBRANE 6125-FR

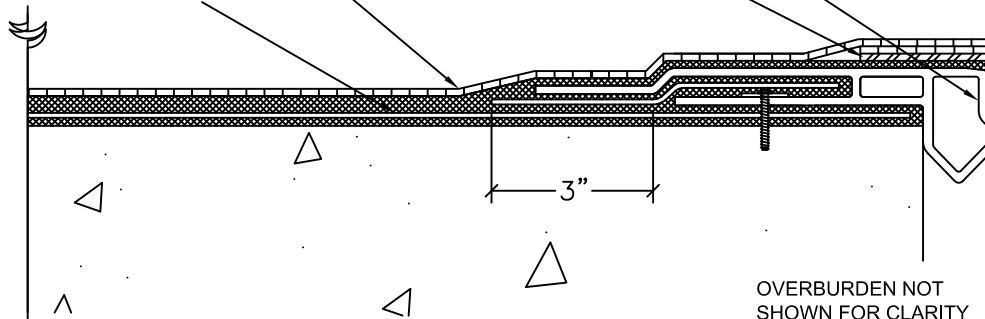


PREFABRICATED EXPANSION JOINT

SLIP SHEET

HYDROFLEX 30 OR OTHER APPROVED PROTECTION

MONOLITHIC MEMBRANE 6125-FR



OVERBURDEN NOT SHOWN FOR CLARITY

NOTE:

1. MANUFACTURERS OF PREFABRICATED EXPANSION JOINT SYSTEMS MUST BE CONSULTED FOR SPECIFIC PRODUCT AND INSTALLATION INFORMATION.
2. SLIP SHEET CAN BE A STRIP OF FLEX-FLASH F OR POLYETHYLENE PLASTIC SHEET PLACED OVER THE INSTALLED MM6125 WHEN THE APPLICATION EXTENDS OVER AN APPROVED JOINT SYSTEM. THIS WILL ALLOW FOR FREE MOVEMENT OF THE EXPANSION JOINT SYSTEM. THE OVERBURDEN SHOULD ALLOW FOR THIS MOVEMENT AS WELL
3. WHEN MM6125 IS APPLIED OVER AN APPROVED JOINT SYSTEM, LAPS OF THE PROTECTION SHEET SHOULD TAKE PLACE OVER THE JOINT AND LEFT DRY FOR FREE MOVEMENT



Monolithic Membrane
6125-FR
 WATERPROOFING SYSTEMS

AMERICAN HYDROTECH, INC.

ALTERNATE PREFABRICATED EXPANSION JOINTS

SCALE: NONE
DATE: 03/23/22

W-6D