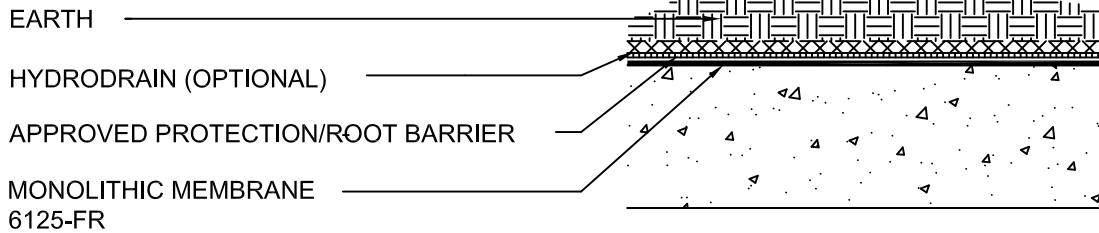
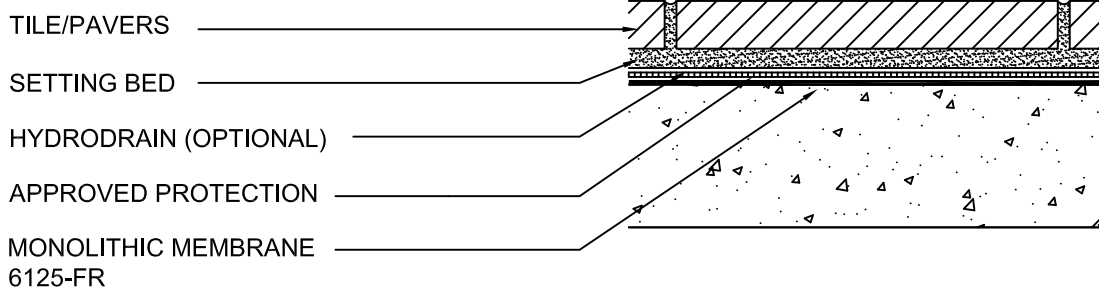


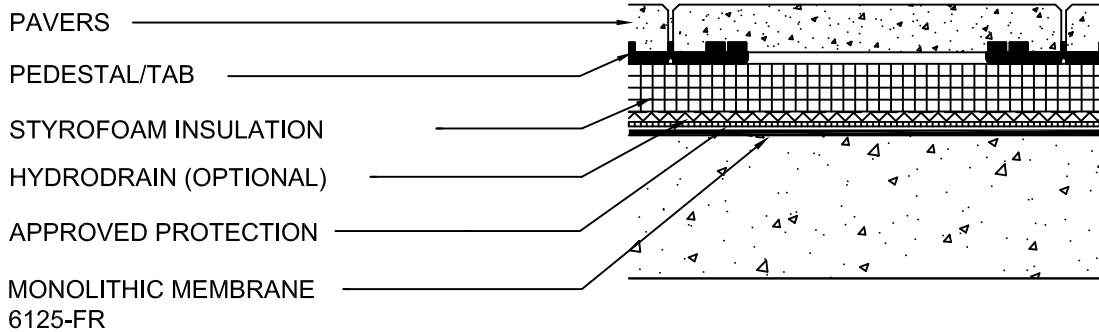
EARTH COVER (PLANTER, LANDSCAPE)



PLAZA/TERRACE (TILE/PAVER IN SETTING BED)



PLAZA/TERRACE (OPEN-JOINT PAVERS)



NOTES:

1. WHEN STYROFOAM IS INSTALLED DIRECTLY UNDER AN IMPERVIOUS SURFACE (i.e., TOPPING SLAB, SETTING BED, ETC.) AN AIR LAYER (APPROVED HYDRODRAIN) MUST BE INSTALLED ON TOP OF THE FOAM.
2. REFERENCE HYDROTECH'S ULTIMATE ASSEMBLY GUIDELINE DETAILS FOR SPECIFIC PAVER APPLICATION DETAILS.



**Monolithic Membrane**  
**6125-FR**  
WATERPROOFING SYSTEMS

**AMERICAN HYDROTECH, INC.**

TYPICAL APPLICATION

SCALE: NONE  
DATE: 11/02/20

W-2B