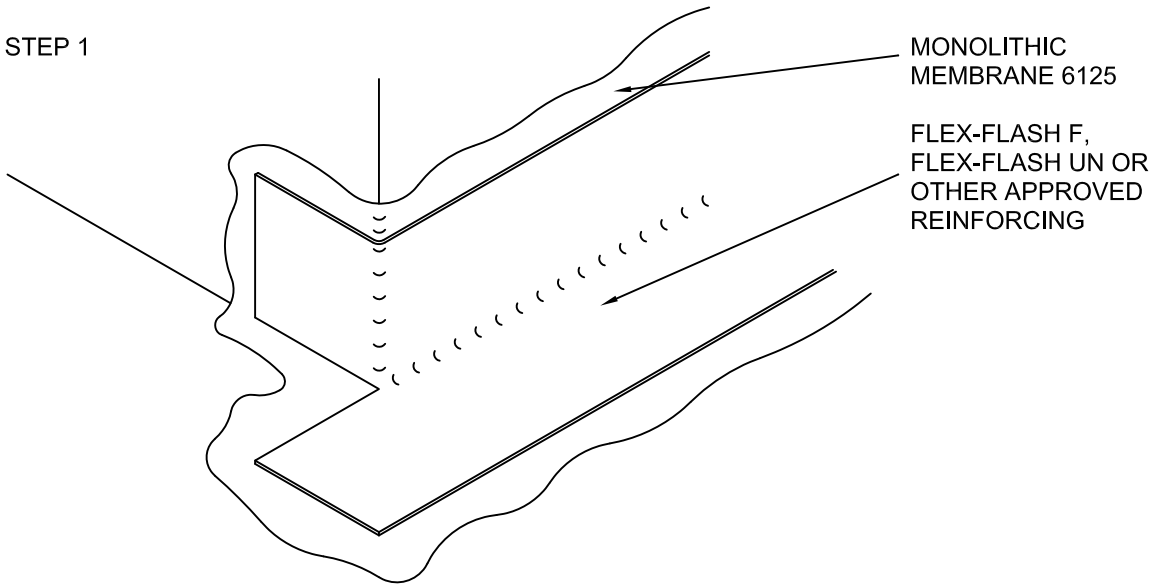
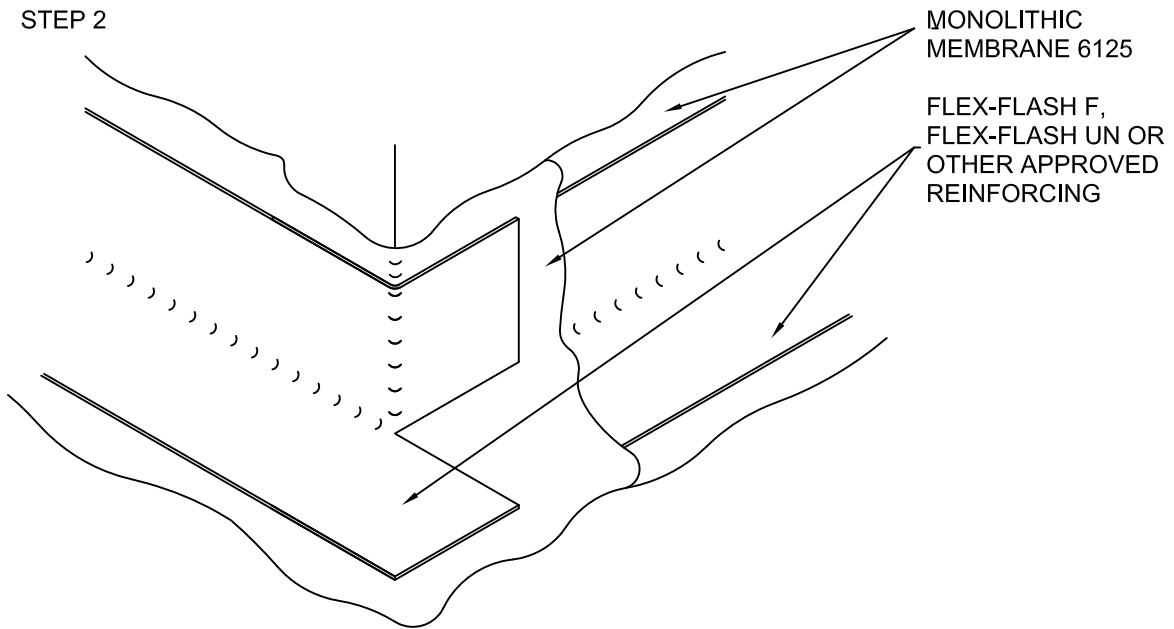


STEP 1



STEP 2



STEP 3

COMPLETELY ENCAPSULATE ALL EXPOSED REINFORCING WITH A TOP COATING OF MONOLITHIC MEMBRANE 6125. NO REINFORCING SHOULD BE LEFT EXPOSED OVERNIGHT.



Monolithic
Membrane
6125-FR
ROOFING SYSTEMS

AMERICAN HYDROTECH, INC.

OUTSIDE
CORNER REINFORCEMENT

SCALE: NONE
DATE: 12/01/17

R-16B