

STONE CAP OR METAL COPING
REF. DETAIL R-13 FOR ALTERNATE
TERMINATIONS

SEALANT

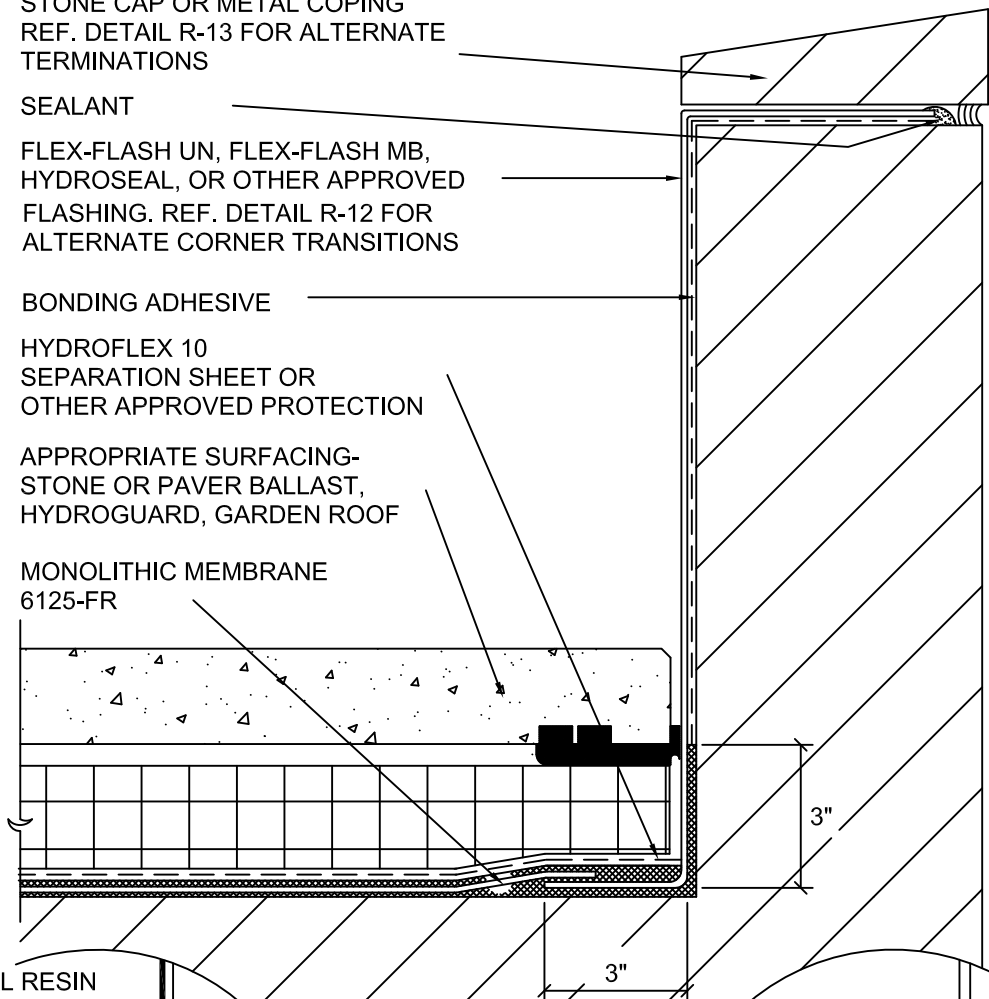
FLEX-FLASH UN, FLEX-FLASH MB,
HYDROSEAL, OR OTHER APPROVED
FLASHING. REF. DETAIL R-12 FOR
ALTERNATE CORNER TRANSITIONS

BONDING ADHESIVE

HYDROFLEX 10
SEPARATION SHEET OR
OTHER APPROVED PROTECTION

APPROPRIATE SURFACING-
STONE OR PAVER BALLAST,
HYDROGUARD, GARDEN ROOF

MONOLITHIC MEMBRANE
6125-FR

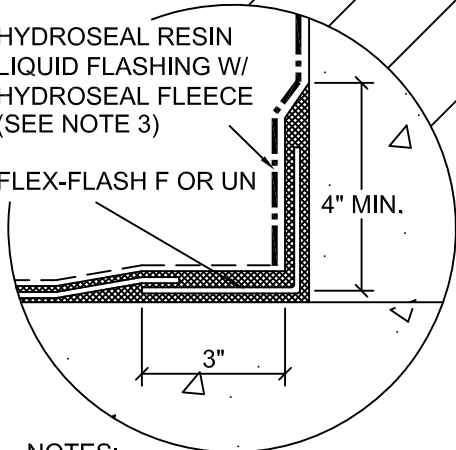


HYDROSEAL RESIN
LIQUID FLASHING W/
HYDROSEAL FLEECE
(SEE NOTE 3)

FLEX-FLASH F OR UN

4" MIN.

3"

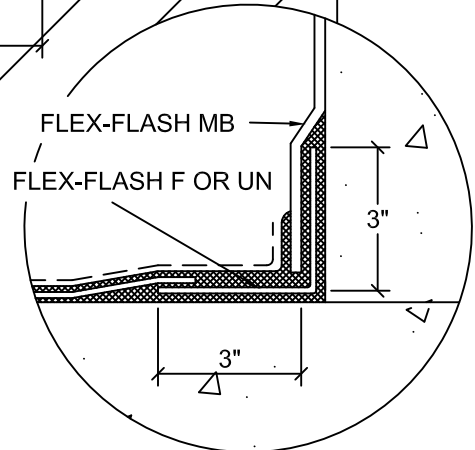


FLEX-FLASH MB

FLEX-FLASH F OR UN

3"

3"



NOTES:

1. REFERENCE GUIDELINE DETAIL R-13 FOR ALTERNATIVE TERMINATIONS.
2. REFERENCE GUIDELINE DETAIL R-12 FOR ALTERNATE CORNER TRANSITION DETAILS, TIE-IN WITH MM6125-FR (FABRIC REINFORCED) MEMBRANE AND FLASHING WITH FLEX-FLASH MB.
3. HYDROSEAL RESIN MUST EXTEND 4" MIN. ONTO THE APPROVED SUBSTRATE BEYOND THE MM6125 TERMINATION.



Monolithic
Membrane
6125-FR
ROOFING SYSTEMS

AMERICAN HYDROTECH, INC.

TYPICAL PARAPET
EXPOSED FLASHING CONDITIONS

SCALE: NONE
DATE: 06/01/19

R-11B