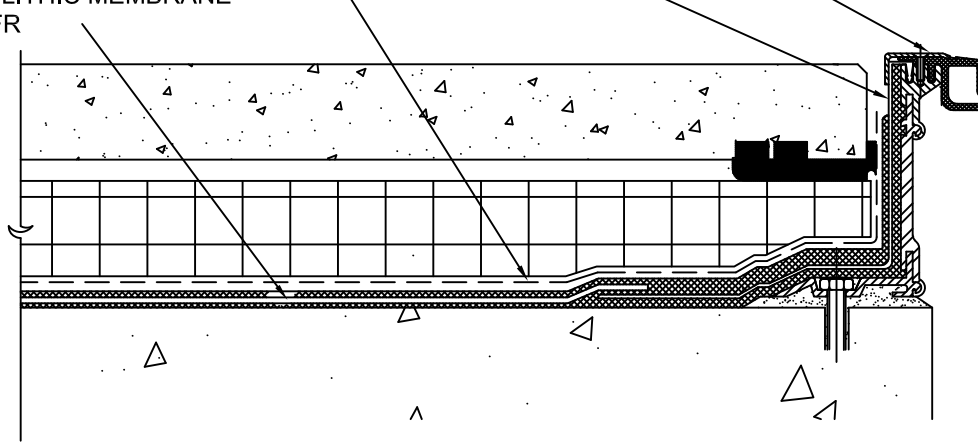


PREFABRICATED EXPANSION JOINT

FLASHING SHEET

HYDROFLEX 10
SEPARATION SHEET OR
OTHER APPROVED
PROTECTION

MONOLITHIC MEMBRANE
6125-FR

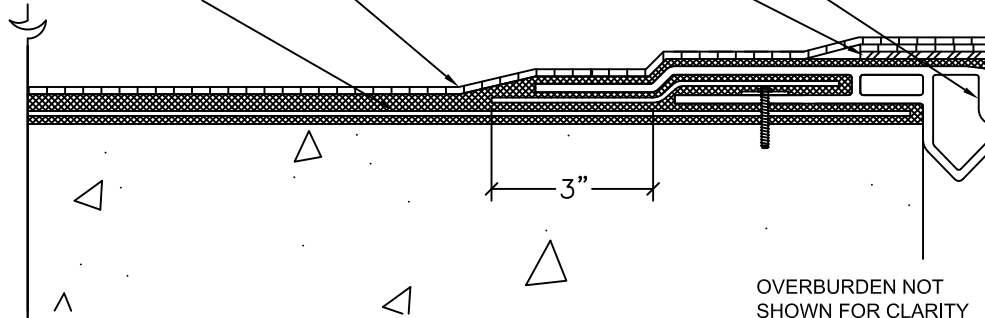


PREFABRICATED EXPANSION JOINT

SLIP SHEET

HYDROFLEX 10 OR OTHER
APPROVED PROTECTION

MONOLITHIC
MEMBRANE 6125-FR



NOTE:

1. MANUFACTURERS OF PREFABRICATED EXPANSION JOINT SYSTEMS MUST BE CONSULTED FOR SPECIFIC PRODUCT AND INSTALLATION INFORMATION.
2. SLIP SHEET CAN BE A STRIP OF FLEX-FLASH F OR POLYETHYLENE PLASTIC SHEET PLACED OVER THE INSTALLED MM6125 WHEN THE APPLICATION EXTENDS OVER AN APPROVED JOINT SYSTEM. THIS WILL ALLOW FOR FREE MOVEMENT OF THE EXPANSION JOINT SYSTEM. THE OVERBURDEN SHOULD ALLOW FOR THIS MOVEMENT AS WELL
3. WHEN MM6125 IS APPLIED OVER AN APPROVED JOINT SYSTEM, LAPS OF THE PROTECTION SHEET SHOULD TAKE PLACE OVER THE JOINT AND LEFT DRY FOR FREE MOVEMENT



**Monolithic
Membrane
6125-FR**
ROOFING SYSTEMS

AMERICAN HYDROTECH, INC.

**ALTERNATE PREFABRICATED
FIELD EXPANSION JOINTS**

**SCALE: NONE
DATE: 03/23/22**

R-6C