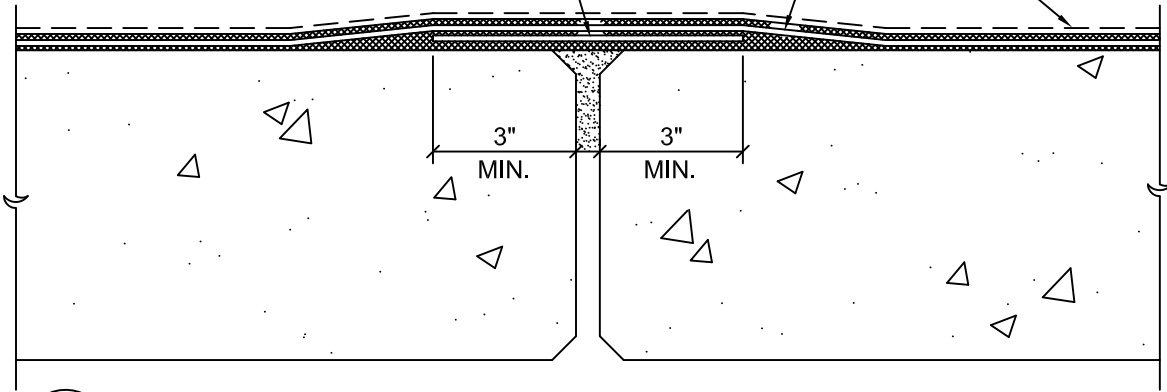


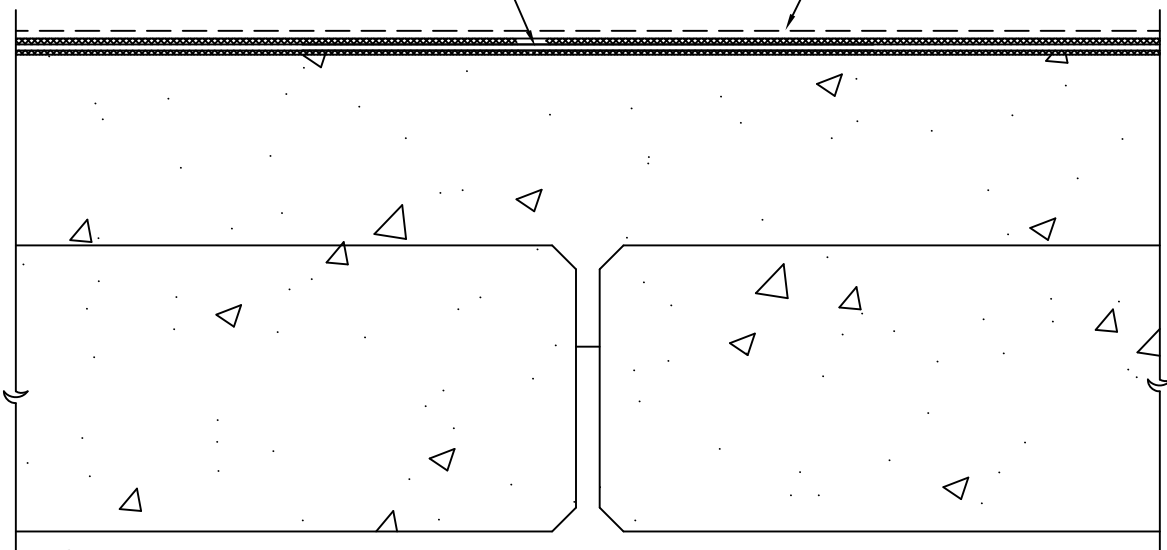
FLEX-FLASH UN (min. when joints caulked),
 FLEX-FLASH F (min. when joints grouted)
 OR OTHER APPROVED REINFORCEMENT

MONOLITHIC MEMBRANE
 6125-FR
 HYDROFLEX 10 OR OTHER
 APPROVED PROTECTION



A WITHOUT TOPPING SLAB

MONOLITHIC MEMBRANE 6125-FR
 HYDROFLEX 10 OR OTHER
 APPROVED PROTECTION



B WITH TOPPING SLAB

NOTES:

1. JOINTS MUST BE GROUDED OR CAULKED FLUSH
2. JOINT REINFORCING REQUIRED PRIOR TO APPLICATION OF STANDARD OR FABRIC REINFORCED MEMBRANE ASSEMBLY



**Monolithic
 Membrane
 6125-FR**
 ROOFING SYSTEMS

AMERICAN HYDROTECH, INC.

PRECAST CONCRETE PLANK/PANEL
 JOINT TREATMENT

SCALE: NONE
 DATE: 12/01/17

R-4A